



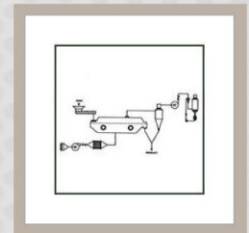
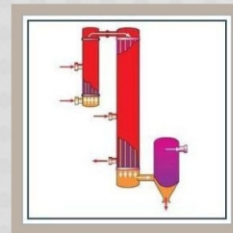
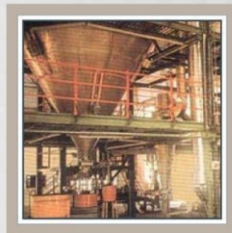
# Advanced Drying Systems

Advanced Drying System  
Manufacturer of Industrial Dryers



Corporate Brochure

We are among the leading companies, engaged in the sphere of manufacturing and exporting a wide range of drying plants and systems. These are appreciated for their durable performance, smooth functionality and heavy duty application.





# Advanced Drying Systems

Advanced Drying System  
Manufacturer of Industrial Dryers

## - Profile -

Established in the year, **1997**, our company, **Advanced Drying Systems**, is engaged in the sphere of manufacturing and exporting a wide range of drying plants, spray drying plants, drying chambers, laboratory spray dryers, air dispersion dryers, pilot dryers, rotary atomizer, industrial heaters, spin flash dryers, fluid bed dryers, vibrated fluid bed dryers etc. These are developed using advanced manufacturing technology that ensures optimal durability and functionality standards of the equipment. We have established a sophisticated manufacturing unit that is equipped with latest manufacturing machines for meeting the fabrication needs of plants. Our qualified quality controllers further assist us in maintaining the quality throughout the process ensuring superior functionality of the industrial heaters, spin flash dryers, fluid bed dryers, vibrated fluid bed dryers and other equipment.

To suit clients' requirements, we also provide customized solutions within committed time frame. Further, we also offer effective and prompt after sale service so that our clients can make optimum use of the offered equipment. Our client centric approach has also helped us in attracting a large number of clients across the world. Under the able guidance of our founder, **Mr. C.V. Kamath**, we have established a firm presence in our industry sector.



# Advanced Drying Systems

Advanced Drying System  
Manufacturer of Industrial Dryers

## Spray Drying Plants:

We introduce ourselves as a leading manufacturer of **Spray Drying Plants** for various products in different industries. Fabricated under the close surveillance of our expert professionals, these spray drying plants deliver precise end results in detergent industries.



**Laboratory Spray Dryers**



**Spray Drying Systems**



**Pressure Nozzles**



**Two Fluid Nozzles**



# Advanced Drying Systems

Advanced Drying System  
Manufacturer of Industrial Dryers

## Air Dispersion Dryer:

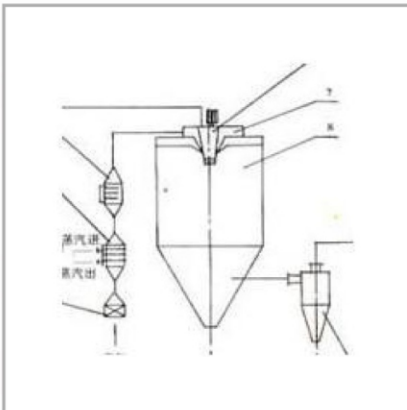
We offer a wide assortment of **Air Dispersion Dryer** that are used for drying applications of wet cakes, pastes, sludges and production of powders from aqueous suspension. Due to the dewatering mechanism, these dryers provide effective solutions and converted to either filter cakes, pastes or sludges.



**Rotary Dryers**



**Spray Dryers**



**Air Dispersion Dryers**



**Vibrated Fluid Bed Dryers**

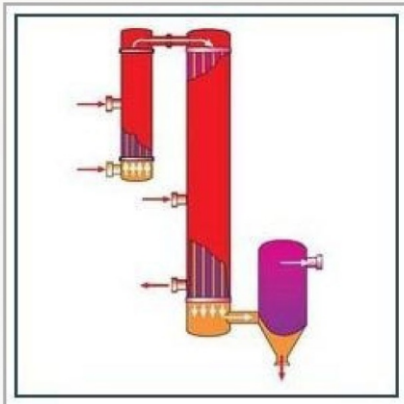


# Advanced Drying Systems

Advanced Drying System  
Manufacturer of Industrial Dryers

## Falling Film Evaporator:

We offer an assortment of **Falling Film Evaporator** that are robustly constructed and widely demanded in chemical industry and effluent treatment plants. Due to the turbulence created inside the chamber, the system is proved to be suitable for heat sensitive, highly viscous and moderately scaling liquids.



**Falling Film  
Evaporator**



**Rising Film  
Evaporator**



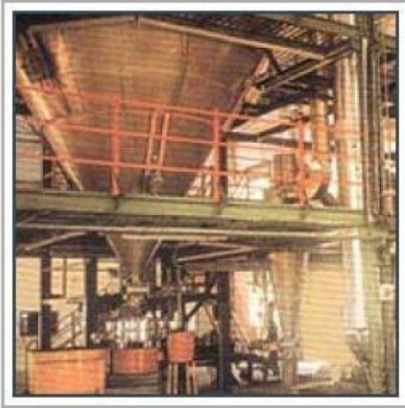
**Forced Circulation  
Systems**



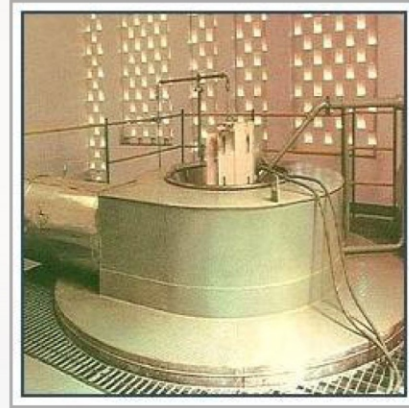
# Advanced Drying Systems

Advanced Drying System  
Manufacturer of Industrial Dryers

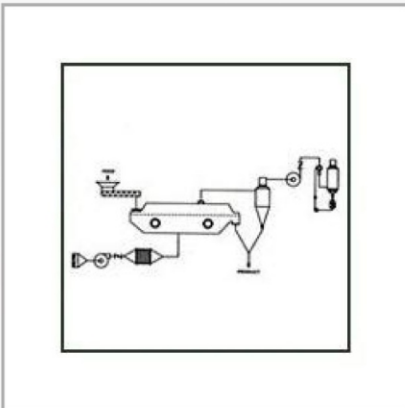
## Other Products:



**Industrial Heaters**



**Powder Separation Unit**



**Fluid Bed Drying**



**Fluid Bed Dryers**



# Advanced Drying Systems

Advanced Drying System  
Manufacturer of Industrial Dryers

## - Company Factsheet -

<b>Year of Establishment</b>	1999
<b>Nature of Business</b>	<ul style="list-style-type: none"><li>› Manufacturer</li><li>› Exporter</li><li>› Trader</li></ul>
<b>Total Number of Employees</b>	Upto 10 People
<b>Standards &amp; Quality Certifications</b>	<ul style="list-style-type: none"><li>› Standards &amp; Quality Certifications</li><li>› SSI Registration No - (27221100753)</li></ul>
<b>Primary Competitive Advantage</b>	<ul style="list-style-type: none"><li>› Experienced R &amp; D Department</li></ul>



# Advanced Drying Systems

Advanced Drying System  
Manufacturer of Industrial Dryers

- Contact Us -

## Contact Details:

### Advanced Drying Systems

Mr. C. R. Kamath

5-B, Madhu Kunj, Vinod Baug, Upashana Lane, Off. Juhu Lane, Andheri West  
Mumbai - 400058, Maharashtra, India